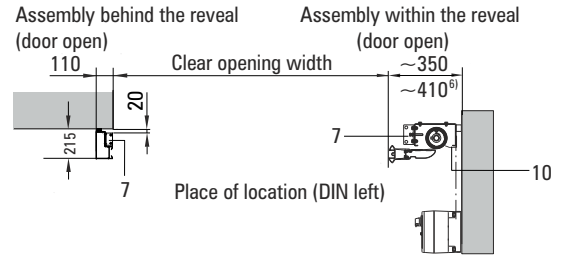
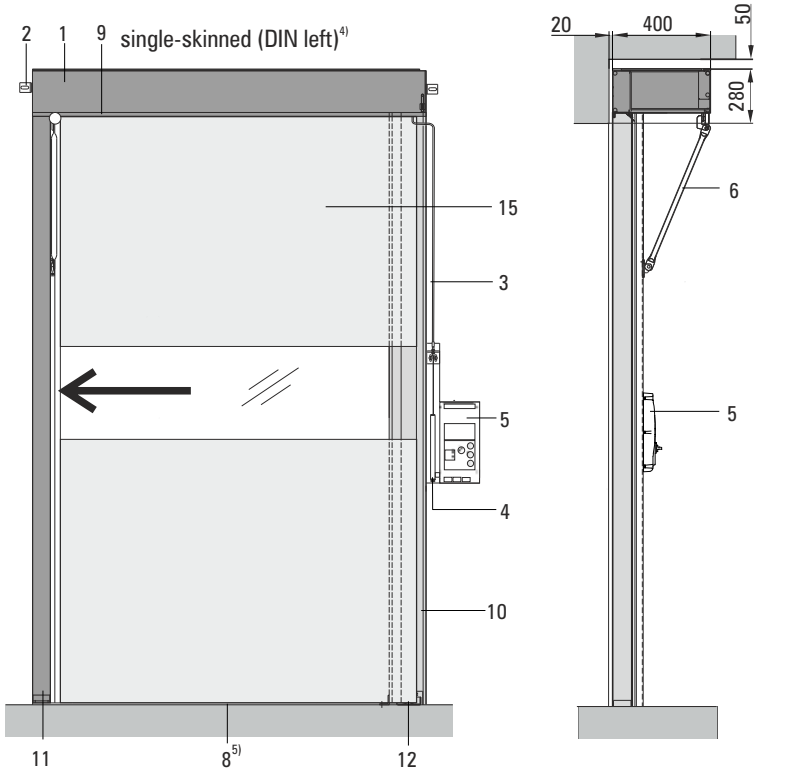
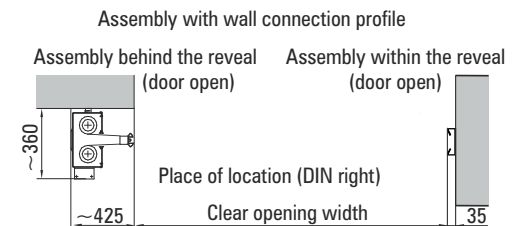
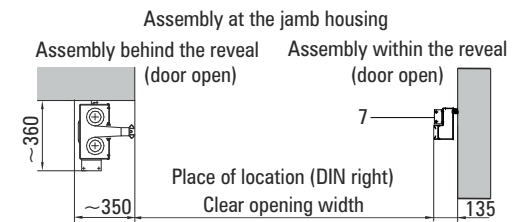
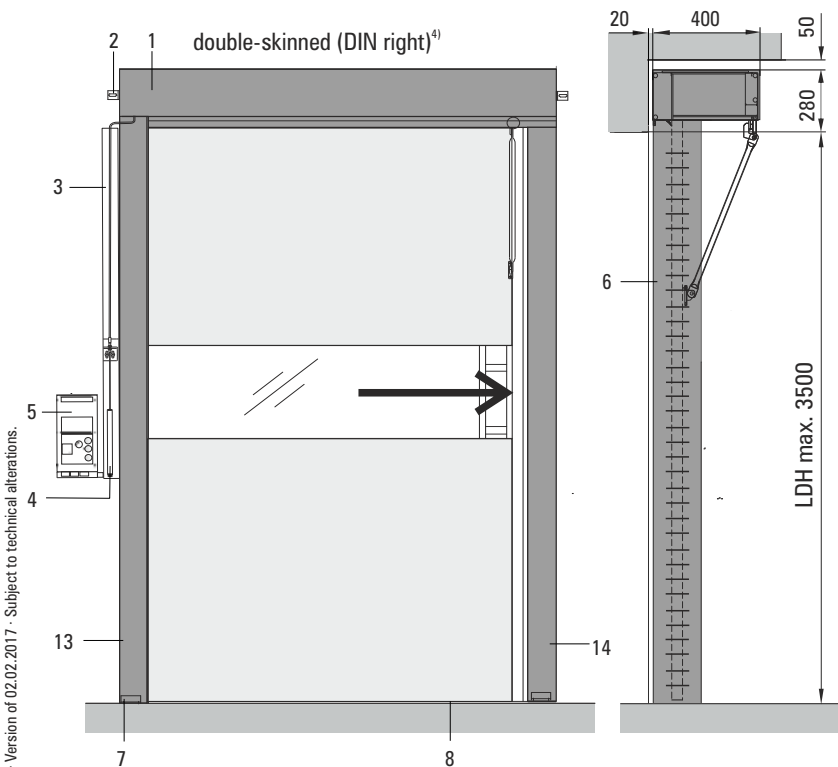


Technical Data
High-Speed Door NOVOSPRINT® Mono



- 1 = Head section incl. top cover
- 2 = Top fixing bracket
- 3 = Cable duct
- 4 = Emergency operation ¹⁾
- 5 = Control panel ²⁾
- 6 = Rigid stay bar ³⁾
- 7 = Bottom fixing bracket
- 8 = Functional gap
- 9 = Bottom cover + cable guide
- 10 = Option: jamb housing cover
- 11 = Jamb housing (DIN left)
- 12 = Jamb housing incl. roll shaft (DIN left)
- 13 = Jamb housing incl. roll shaft (DIN right)
- 14 = Jamb housing (DIN right)
- 15 = Door skin incl. vision element



¹⁾ Assembly to jamb with roll shaft. Panic opening: no emergency operation
²⁾ Standard = right side (for DIN right) or wall fastening (w194xh370xd155)
³⁾ not applicable for c/o height ≤ 2800; option: stay bar incl. unlatch mechanism
⁴⁾ DIN left and DIN right available for single- and double skinned doors (DIN 107: DIN left = closing leftward, DIN right = closing rightward)
⁵⁾ Ground closure: no functional gap
⁶⁾ Ground closure: increased lateral space requirements

Technical Data · High-Speed Door NOVOSPRINT® Mono

		Single skin	Double skin
Opening speed [m/s]*	Up to (Standard) / (Option)	1,75 / 2,5	1,75
Closing speed [m/s]*	Up to (Standard) / (Option)	0,75 / 1,25	
Opening cycles / duration in use*	Cycles in permanent use	60 cycles / hour (= 1 / minute)	
	Augmented cycles, duration max. 1 hour	120 cycles / hour (= 2 / minute)	
	Augmented cycles, duration max. 15 minutes	6 cycles / minute	
Opening cycles*	In standard applications cycles per year	350.000	
Warranty on springs*	Under warranty conditions cycles, max. 2 years	500.000	
Door dimensions [mm]* (Clear opening width - c/o width)	(On inquiry) / Standard: width min. / max. / (max. on inquiry)	(-) / 900 / 2500 / (2650)	
	PVC-free / antistatic or food safe coating: width min. / max.	900 / 2150	
Door dimensions [mm]* (Clear opening height - c/o height)	Standard: height min. / max.	1700 / 3500	
Required space, top (lintel) [mm]*		330	
Required space, lateral (not drive side) [mm]*	Minimum, with control fixed on the wall	35 / 135	
Required space, lateral (drive side) [mm]*	Minimum, with control fixed on the wall	425 / 350	
Required space, total depth [mm]*	Without additional equipment	420	
Operating forces / Safe openings	Acc. to EN 13241-1**	fulfilled	
Horizontal head section for the integration of the drive technology	Steel sheet, powder coated acc. to RAL 9005	■	
	Steel sheet, powder coated acc. to RAL (special colours)	□	
	Stainless steel	■	-
Vertical jamb housing for the integration of the skin winding technology	Sendzimir galvanized	■	
	Steel sheet, powder coated acc. to RAL 9005	□	
	Steel sheet, powder coated acc. to RAL (special colours)	□	
	Stainless steel	□	-
Vertical pusher profile for the integration of the safety edge control technology	Sendzimir galvanized	■	-
	Steel sheet, powder coated acc. to RAL 9005	□	■
	Steel sheet, powder coated acc. to RAL (special colours)	□	□
	Stainless steel	□	-
Drive	Gear motor with double brake (WITH emergency release lever – closed when de-energised)	■	
	Gear motor with double brake (WITHOUT emergency release lever – open when de-energised)	□	
	Electric motor with frequency converter control - driving power [KW]	0,75 kW	
Door skin*	Polyester fabric, PVC-laminated on both sides, similar to RAL 1003 Vision element (transparent panel), thermoplastic Elastomer (TPE-Film)	■	
	Polyester fabric, PVC-laminated on both sides, in special colour Vision element (transparent panel), thermoplastic Elastomer (TPE-Film)	□	
	PVC-free skin (only similar to RAL 1003)	□	
	Food safe TPU coating, similar to FDA (only similar to RAL 1003)	□	
	Antistatic equipment (only similar to RAL 1003)	□	
	Low flammability (Building material class acc. to DIN 4102 - B1)	□	
	Standard position of vision panel in height from - to (Special execution on inquiry)	1480 - 2000	
Emergency operation	Actuated by Bowden cable lever - self-opening Note: if required the door can be pushed by hand to open completely)	■	
	Automatic opening when de-energised Note: if required the door can be pushed by hand to open completely)	□	
	Aptitude for installation in escape routes, acc. to DGUV 208/044 (German statutory accident insurance) (Note: Only for Germany: local legislation has to be respected)	-	□
	With uninterruptable power source	on inquiry	
Control	BDC E800 F - frequency converter control for smooth start-up and increased opening speed, mains connection 230V / 50Hz (L1,N,PE), fuse protection 16A , type C, earth leakage only Type B	■	
Safety	Closing edge monitored by an optoelectronic sensor, integrated in the door leaves, with power supply via energy chain or trailing cable	■	
	Optoelectronic safety light curtain, integrated in the door leaves, with power supply via energy chain or trailing cable	□	
	External photo eye	□	
	External light curtain	□	
	Anti-crash-protection (unlatch mechanism in the stay bars, available for c/o height above 2 800 mm)	□	
	Laser sensor	□	
Equipment options	Pulse transmitter: mushroom button / Non-contact radar switch / Pull switch / Radio control	□	
	Pulse transmitter: Reflection light scanner / radar motion sensor / Induction loop	□	
	Airlock control	□	
	Combination with SPACELITE or SECTIOLITE doors	□	